

SUNPOWER®

NEW REVISION: K

Safety and Installation Instructions

for Europe, Asia, Australia, Latin America and Africa

This document applies to SunPower PV Modules

Languages:

English
French
German
Italian

SunPower Corporation

www.sunpower.com

Document 001-15497 Rev K
P/N 100657

English

French

German

Italian

Safety and Installation Instructions

(English - IEC version)

NEW:

This document includes references to SunPower E-series (SPR-EYY-ZZZ) and X-series (SPR-XYX-ZZZ) PV Modules.

Do not mix E and X Series in the System.

The E and X series modules does not require functional grounding and are compatible with transformer-less inverters (ref. section 4.1)

1.0 Introduction

This manual provides safety and installation instructions for TUV-Listed/IEC certified SunPower photovoltaic (PV) modules (including the new SunPower E/X series modules) carrying the TUV logo on the product label (Figure 1).



Figure 1

Important! Please read this instruction sheet in its entirety before installing, wiring, or using this product in any way. Failure to comply with these instructions will invalidate the SunPower Limited Warranty for PV Modules.

1.1 Disclaimer of Liability

The installation techniques, handling and use of this product are beyond company control. Therefore, SunPower does not assume responsibility for loss, damage or expense resulting from improper installation, handling or use.

1.2 International Electrotechnical Commission (IEC) Listing Information

This product meets or exceeds the requirements set forth by IEC 61215 Edition 2 for PV Modules, as well as IEC 61730 for Class A applications. The IEC Standard covers flat-plate PV modules intended for installation on buildings and those intended to be freestanding. This product is not intended for use where artificially concentrated sunlight is applied to the module.

1.3 Limited Warranty

Module **limited** warranties are described in the SunPower warranty certificates obtainable at www.sunpower.com.

Warranties do not apply to any of the following;

PV modules which in SunPower's absolute judgment have been subjected to: misuse, abuse, neglect or accident; alteration, improper installation, application or removal (including but not limited to installation, application or removal by any party other than a qualified personnel; non-observance of SunPower's installation, users and/or maintenance instructions; repair or modifications by someone other than an approved service technician; power failure surges, lightning, flood, fire, accidental breakage or other events outside SunPower's control.

2.0 Safety Precautions

Before installing this device, read all safety instructions in this manual.

Danger! Module interconnects pass direct current (DC) and are sources of voltage when the module is under load and when it is exposed to light. **Direct current can arc across gaps and may cause injury or death if improper connection or disconnection is made, or if contact is made with module components that are damaged.** Do not connect or disconnect modules when current from the modules or an external source is present.

- Cover all modules in the PV array with an opaque cloth or material before making or breaking electrical connections.
- Do not disconnect any modules when its inverter is feeding in to the grid. Switch off the inverter before disconnecting, reinstalling or making any action with the modules.
- It is imperative to use the supplied locking connectors and safety clips in order to defend against untrained personnel disconnecting the modules once they have been installed.
- All installations must be performed in compliance with all applicable regional and local codes.
- There are no user serviceable parts within the module. Do not attempt to repair any part of the module.
- Installation should be performed only by qualified personnel.
- Remove all metallic jewelry prior to installing this product to reduce the chance of accidental exposure to live circuits.
- Use insulated tools to reduce your risk of electric shock.
- Do not stand on, walk, drop, and scratch or allow objects to fall on the glass surface of the modules.
- Damaged modules (broken glass, torn back sheet, broken j-boxes, broken connectors, etc) can be electrical hazards as well as laceration hazards. Contact with damaged module surfaces or module frame can cause electric shock. The dealer or installers should remove the module from array and contact the supplier for disposal instructions.
- Do not install or handle the modules when they are wet or during periods of high wind.
- Contact your module supplier if maintenance is necessary.
- Save these instructions!

3.0 Electrical Characteristics

The module electrical ratings are measured under Standard Test Conditions (STC) of 1 kW/m² irradiance with AM 1.5 spectrum and a cell temperature of 25° C. SunPower modules have specific electrical characteristics as shown on the datasheets.

Bypass diodes for each module are factory installed in the modules. The diodes have one of the following ratings;

1. 8A, 100 PIV (Peak Inverse Voltage) for 72 & 96 cell modules.
2. 12A, 200 PIV (Peak Inverse Voltage) for 128 cell modules.

A photovoltaic module may produce more current and/or voltage than reported at STC. Sunny, cool weather and reflection from snow or water can increase current and power output. Therefore, the values of I_{sc} and V_{oc} marked on the module should be multiplied by a factor of 1.25 when determining component voltage ratings, conductor ampacities, fuse sizes, and size of controls connected to PV output. An additional 1.25 multiplier may be required by certain codes for sizing fuses and conductors.

SunPower recommends the use of open-circuit voltage temperature coefficients listed on the datasheets when determining Maximum System Voltage.

4.0 Electrical Connections

Modules may be connected in series and/or parallel to achieve the desired electrical output as long as certain conditions are met. Please use only the same type of modules in a combined source circuit.

The connectors on SunPower modules ship with a locking safety clip, which once connected requires the use of a tool to disconnect module-to-module connections. This defends against untrained personnel disconnecting the modules when under load, in anticipation of a change considered in the next update of IEC 61730.

SunPower recommends that all wiring be double insulated with a minimum rating of 85° C (185° F). All wiring should use flexible copper (Cu) conductors. The minimum size should be determined by the applicable codes. We recommend a size not less than 4mm². The insulation type should be appropriate for the type of installation method used and must meet SCII (Safety Class II) and IEC 61730 requirements.

4.1 System & Equipment Grounding

Please refer to the applicable regional and local codes on grounding PV arrays and mounting frames for specific requirements (e.g. lightning protection).

Module Types
New SPR E & X series modules are compatible with Transformer Less (TL) inverters, when used as an ungrounded PV source. No frame or system grounding Requirements (including functional frame grounding)
E Series: SPR-EYY-ZZZ SPR-EYY-ZZZ-BLK SPR-EYY-ZZZ-COM
X Series: SPR-XYX-ZZZ SPR-XYX-ZZZ-BLK SPR-XYX-ZZZ-COM

Note: If you are installing an older Module Type than above mentioned, please refer to different/previous Safety and Installation Manual.

If you are doing a frame grounding connection, avoid the direct contact between Aluminum and Copper using an intermediate metal like steel or tin.

4.2 Series Connection

The modules may be wired in series to produce the desired voltage output. Do not exceed the maximum system voltage.

4.3 Parallel Connection

The modules may be combined in parallel to produce the desired current output. Series string must be fused prior to combining with other strings if the resulting maximum reverse current exceeds the fuse rating as shown in the datasheets. Bypass diodes are factory installed in the modules. Please refer to the applicable regional and local codes for additional fusing requirements and limitations on the maximum number of modules in parallel.

5.0 Module Mounting

The SunPower **Limited** Warranty for PV Modules is contingent upon modules being mounted in accordance with the requirements described in this section.

5.1 Site Considerations

SunPower modules should be mounted in locations that meet the following requirements:

Operating Temperature: All SunPower modules must be mounted in environments that ensure SunPower modules will operate within the following maximum and minimum operating temperatures:

Maximum Operating Temperature	+85 °Celsius, +185 °Fahrenheit
Minimum Operating Temperature	-40 °Celsius, -40 °Fahrenheit

Care should be taken to provide adequate ventilation behind the modules, especially in hot environments.

Design Strength: SunPower modules are designed to meet a maximum positive (or upward, e.g. wind) and negative (or downward, e.g. static load) design pressure of 2400 Pa when mounted in all of the mounting configurations specified in Section 5.2. A design strength of 2400 Pa corresponds approximately to a wind speed of 200 km/h (125 mph).

SunPower modules are designed to meet a maximum negative (or downward, e.g. snow load) of 5400 Pa for the following mounting configurations only when mounted in adherence to Section 5.2 below. 5400 Pa design strength has been verified by SunPower and certified.

- 1) 72 cell modules with dimensions of (1559mm x 798mm) meet 5400 Pa in the following mounting configurations described in Section 5.2 below
 - a. Frame Holes
 - b. Pressure Clamps or Clips
 - c. End Mount
- 2) 96 cell modules with dimensions of (1559mm x 1046mm) meet 5400 Pa in the following mounting configurations described in Section 5.2 below
 - a. Frame Holes
 - b. Pressure Clamps or Clips

When mounting modules in snow prone or high wind environments, special care should be taken to mount the modules in a manner that provides sufficient design strength while meeting local code requirements.

Additional authorized Operating Environments:

Modules can be mounted in the following aggressive environment according to the test limits mentioned below

Salt mist corrosion testing: IEC 61701 Severity 6 (Highest available yet)

Ammonia Corrosion Resistance: Concentration: 6,667ppm

Excluded Operating Environments:

Certain operating environments are not recommended for specific SunPower modules and are excluded from the SunPower **Limited** Warranty for these modules.

No SunPower module should be mounted at a site where it may be subject to direct contact with salt water, or other aggressive environment.

5.2 Mounting Configurations

Modules may be mounted at any angle from horizontal to vertical. Select the appropriate orientation to maximize sunlight exposure. Specific information on module dimensions and the location of mounting and grounding holes is provided below (Figures 2 and 3).

In order to prevent water from entering the junction box, which could present a safety hazard, modules should not be mounted such that the front/top glass faces downward (e.g., on a tracking structure that positions the module with the junction box facing skyward during sleep mode).

Clearance between the module frames and structure or ground is required to prevent wiring damage and allows air to circulate behind the module.

The recommended assembling clearance between modules installed on the roof is a minimum of 4 mm distance.

When installed on a roof, the module shall be mounted according to the local and regional building and fire safety regulations. In case the module is installed in a roof integrated PV-System (BIPV), it shall be mounted over a watertight and fire-resistant underlayment rated for such application

The module is only TUV certified for use when its factory frame is fully intact. Do not remove or alter the module frame. Creating additional mounting holes may damage the module and reduce the strength of the frame.

Using mounting Clamps or clips with additional grounding bolts or grounding metal sheets is in compliance with this Safety and Installation Instructions manual.

Modules may be mounted using the following methods only:

- 1) **Frame Holes:** Secure the module to the structure using the factory mounting holes. Four M6 (¼") stainless steel bolts, with nuts, washers, and lock washers are recommended per module. Refer to Figure 2 and 3 for the module dimensions and mounting hole locations.
Only the mounting holes that are 322mm from the short end of the module can be used for the module to meet 5400 Pa (e.g. snow load) design strength.
- 2) **Pressure Clamps or Clips:** Mount the module with the clips on the longer side of the frame of the module. The centerline of the clips should be between 160mm–400mm from the short end of the module for 2400 Pa design strength and between 250mm–400mm from the short end of the module for 5400 Pa (e.g. snow load) design strength. Installers should ensure the clamps are of sufficient strength to allow for the maximum design pressure of the module. Clips and clamps are not provided by SunPower.
- 3) **End Mount:** End mounting is the capture mounting of the length of the module's end frame to a supporting rail. The end frames are on the shorter sides of the module. The end-mounting rail and clips or clamps must be of sufficient strength to allow for maximum design pressure of the module. Verify this capacity with the mounting system vendor before installation.
- 4) **Center Mount: (Only for T0 & T20 Trackers)** A continuous clamp may be used to clamp the bottom flange of the frame at the center of the long sides. Minimum clamping length shall be 150 mm on top of flange and 100 mm on bottom. The clamps must be of sufficient strength to allow for the maximum design

pressure of the module. Verify this capacity with the mounting system vendor before installation.

- 5) **SunPower specified or SunPower supplied mounting systems.** Modules mounted with strict adherence to SunPower documentation, using hardware systems supplied by or specified by SunPower

5.3 Handling of Modules during Installation

Do not place modules face forward in direct contact with abrasive surfaces like roofs, driveways, wooden pallets, railings, stucco walls, etc....

The module front surface glass is sensitive to oils and abrasive surfaces, which may lead to scratches and irregular soiling.

During storage, modules need to be protected from rain or any kinds of liquids. Required storage temperature is between 10°C to 40°C in a dry environment (humidity between 30 to 80%). Do not store modules outdoor to avoid moisture and wet conditions.

Modules that feature antireflective coated glass are prone to visible finger print marks if touched on the front glass surface. SunPower recommends handling modules with anti-reflective glass with gloves (no leather gloves) or limiting touching of the front surface. Any finger print marks resulting from installation will naturally disappear over time or can be reduced by following the washing guidelines in Section 6.0 below. Any module coverage (colored plastic tarps or similar) during installation can lead to permanent front glass discoloration and is not recommended. The use of vacuum lifting pads can cause permanent marks on the front glass.

Shading incidence need to be avoided during PV system operation. The system is not supposed to be energized until the mounting Scaffolding, Fences or railing have been removed from the roof. Systems should be disconnected in any cases of maintenance which can cause shading (e.g. chimney sweeping, any roof maintenance, antenna/dish installations, etc).

6.0 Maintenance

SunPower recommends visual inspection on a regular basis of all modules for safe electrical connections, sound mechanical connection, and freedom from corrosion. This visual inspection should be performed by trained personnel.

Periodic cleaning of modules is recommended, but is not required. Periodic cleaning has resulted in improved performance levels, especially in regions with low levels of annual precipitation (less the 18.25 inches (46.3cm)). Consult your dealer or supplier about recommended cleaning schedules for your area.

To clean a module, wash with potable, non-heated, water. Normal water pressure is more than adequate, but pressurized water up to 100 bar (min.50 cm distance) may be used. SunPower recommends to use a large hosepipe and not to perform cleaning at high outside temperatures. Fingerprints, stains, or accumulations of dirt on the front surface may be removed as follows: first rinse off area and let soak for a short period of time (5 mins). Re-wet and use a soft sponge or seamless cloth to wipe glass surface in a circular motion. Fingerprints typically can be removed with a soft cloth or sponge and water after wetting. Do not use harsh cleaning materials such as scouring powder, steel wool, scrapers, blades, or other sharp instruments to clean the glass surface of the module. Use of such materials or cleaning without consultation will invalidate the product warranty.

Figure 2: 72-cell

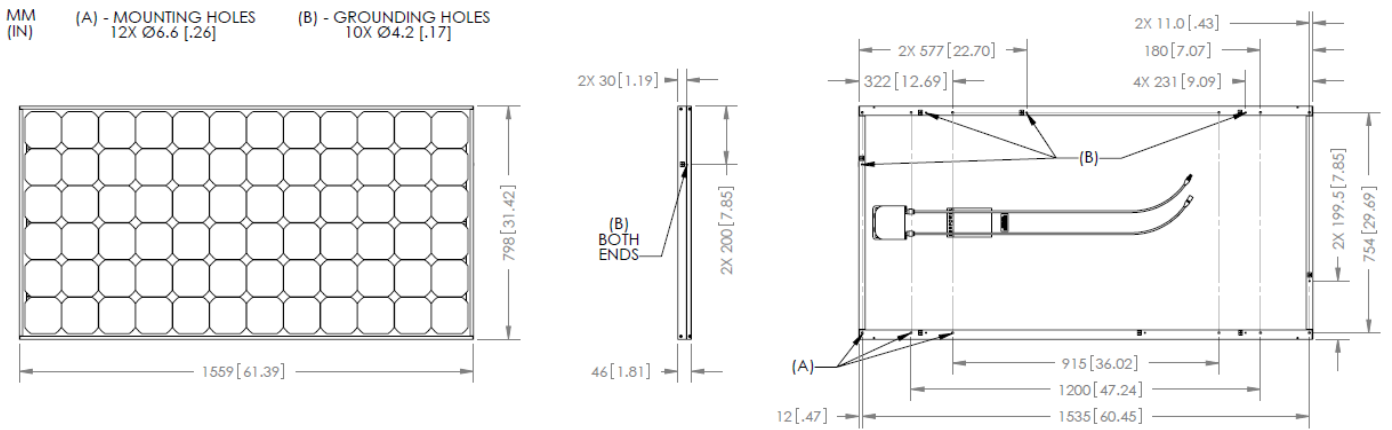
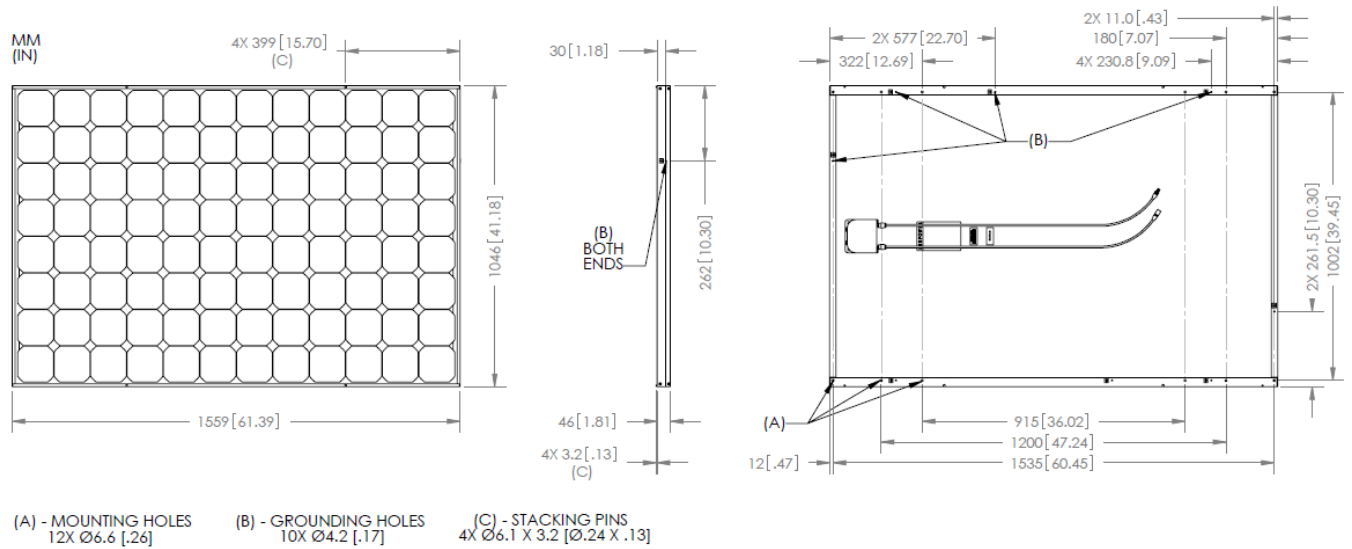


Figure 3: 96-cell (Note that stacking pins are not included on all models – check datasheet for details)





Instructions de sécurité et d'installation

Ce document s'applique aux modules de SunPower

Langue :

Français

SunPower Corporation
www.sunpower.com

Instructions de sécurité et d'installation**(Français – version IEC)****NOUVEAU:**

Ce document contient des références aux nouveaux Modules de la Serie E (SPR-EXX-ZZZ) et Serie X (SPR-XYX-ZZZ).

Ne pas mélanger les 2 Séries.

Ces nouveaux modules n'ont pas besoin de mise à la terre et sont compatibles avec les onduleurs sans transformateur (cf. section 4.1)

1.0 Introduction

Ce manuel comporte des instructions de sécurité et d'installation relatives à des modules photovoltaïques (PV) SunPower conformes aux normes IEC et EN, portant le logo TÜV sur l'étiquette de produit (Schéma 1). **Note.** Le numéro d'identification réel peut être différent.



www.tuv.com
ID 0000022009

Schéma 1

Important ! Veuillez lire cette fiche d'instructions dans son intégralité avant d'installer, de raccorder ou d'utiliser ce produit de quelque manière que ce soit. Le non-respect de ces instructions aura pour effet d'invalider la garantie limitée de SunPower pour les modules PV.

1.1 Exclusion de responsabilité

Les techniques d'installation, de maintenance et d'utilisation de ce produit échappent au contrôle de la société. Par conséquent, SunPower rejette toute responsabilité pour tout préjudice ou dommage, ou pour toutes dépenses découlant d'une installation, d'une maintenance ou d'une utilisation inadéquates.

1.2 Conformité aux normes de l'International Electrotechnique Commission (IEC) et européennes (EN)

Ce produit est conforme aux spécifications de la norme IEC/EN 61215 édition 2 ainsi que IEC/EN 61730 pour les modules PV destinés aux applications de catégorie A. La Norme IEC concerne les modules et panneaux PV, destinés à être installés sur des bâtiments et édifices, ou autoporteurs. Ce produit n'est pas destiné à une utilisation impliquant une concentration artificielle de la lumière solaire sur le module.

1.3 Garantie limitée

Les garanties limitées applicables au module sont décrites dans les certificats de garantie de SunPower qui peuvent être obtenus à l'adresse suivante :

www.sunpower.com.

2.0 Précautions de sécurité

Avant d'installer ce produit, veuillez lire attentivement et dans leur intégralité les instructions de sécurité contenues dans ce manuel.

Danger ! Les interconnexions du module transmettent du courant continu et sont sous tension lorsque le module est raccordé ou est exposé à la lumière. **Le courant continu peut créer des arcs électriques à distance, et peut être à l'origine de dommages corporels ou de décès en cas de connexion ou de déconnexion inappropriée, ou en cas de contact avec des composants de module abîmés.** Ne pas connecter ou déconnecter les modules lorsque circule un courant produit soit par le module, soit par une source externe.

- Couvrir tous les modules de l'installation PV avec un tissu ou un matériau opaque avant de procéder à un branchement électrique, ou de débrancher le système.
- Ne pas déconnecter les modules lorsque l'onduleur est encore en marche. Arrêter l'onduleur avant de déconnecter ou de réinstaller ou de faire quoi que ce soit avec les modules.
- Il est impératif d'utiliser les connecteurs de verrouillage et les pinces de sécurité fournis afin d'interdire au personnel non qualifié de déconnecter les modules une fois qu'ils ont été installés
- L'installation doit être réalisée conformément à l'ensemble des codes régionaux et locaux en vigueur.
- Le module ne comporte aucune pièce susceptible d'être entretenue par l'utilisateur. Ne pas tenter de réparer une quelconque partie du module.
- Seuls les personnels qualifiés sont autorisés à réaliser l'installation.
- Avant d'installer ce produit, ôter toute pièce de joaillerie métallique, afin de limiter les risques d'exposition accidentelle à des circuits sous tension.
- Utiliser des outils isolés pour réduire les risques de choc électrique.
- Ne pas se tenir debout sur les modules, les laisser tomber, ni les érafler ou les rayer ; éviter toute chute d'objet sur le verre. Il est interdit de marcher sur les panneaux
- Si le verre en face avant est brisé, ou si la couche arrière est déchirée, tout contact avec la surface ou le cadre du module est susceptible de provoquer un choc électrique.
Le distributeur ou les installateurs doivent retirer le panneau de la rangée et contacter le fournisseur pour les instructions d'enlèvement.
- Ne pas installer ou manipuler les modules lorsque ceux-ci sont humides, ou par période de vent fort.
- Si une maintenance est nécessaire, contactez le fournisseur de votre module.
- Conservez cette notice !

3.0 Caractéristiques électriques

Les valeurs électriques nominales du module sont mesurées dans des Conditions d'essai standard (Standard Test Conditions, STC) de 1 kW/m² d'irradiation, avec un spectre de 1,5 AM et une température cellulaire de 25° C. Les modules SunPower ont des caractéristiques électriques particulières qui sont décrites dans les fiches techniques.

Les diodes en dérivation (By-pass) pour chaque module sont installées en usine dans les modules. Les diodes ont une des valeurs suivantes :

1. 8A, 100 PIV (Peak Inverse Voltage) Pour les modules de 72 & 96 cellules.
2. 12A, 200 PIV (Peak Inverse Voltage) Pour les modules de 128 cellules.

Un module photovoltaïque peut produire plus de courant et/ou de tension qu'indiqué pour des Conditions d'essai standard (STC). Des conditions météorologiques ensoleillées, des températures basses et le reflet de la neige ou de l'eau peuvent accroître le courant et la production d'électricité. Par conséquent, les valeurs de courant de court circuit (I_{sc}) et de tension de circuit ouvert (V_{oc}) figurant sur le module doivent être multipliées par un facteur de 1,25 pour déterminer la tension nominale, l'intensité admissible des conducteurs, les tailles des fusibles et celles des contrôles connectés à la sortie PV. Un multiplicateur supplémentaire de 1,25 peut être exigé par certaines réglementations pour la détermination du calibre des fusibles et des conducteurs.

SunPower recommande l'utilisation des coefficients de température de la tension en circuit ouvert indiqués sur les fiches techniques lors de la détermination de la tension maximale du système

4.0 Connexions électriques

Dès lors que certaines conditions sont remplies, plusieurs modules peuvent être connectés en série et/ou en parallèle pour atteindre la production électrique souhaitée. Pour un circuit à sources combinées, utilisez uniquement des modules du même type.

Les connecteurs sur les modules SunPower sont livrés avec un clip de verrouillage de sécurité qui, une fois connecté, nécessite l'utilisation d'un outil pour déconnecter les connexions module-à-module. Ceci interdit au personnel non qualifié toute déconnexion des modules lorsque ceux-ci sont sous tension. Une révision est possible dans la prochaine mise à jour de l'IEC/EN 61730.

SunPower recommande que tous les câblages soient protégés par une double isolation, avec une valeur nominale minimale de 85° C (185° F). Tous les câblages doivent comporter des conducteurs en cuivre (Cu) flexibles. La taille minimale doit être déterminée par les codes en vigueur. Nous recommandons une taille d'au moins 4 mm². Le type d'isolation doit être adapté à la méthode d'installation utilisée et doit être conforme aux normes SCII (Catégorie de sécurité II) et IEC/EN 61730.

4.1 Système et équipement de mise à la terre

Se reporter aux codes régionaux et locaux en vigueur en matière de mise à la terre des dispositifs photovoltaïques et des cadres de montage pour les exigences spécifiques (par exemple, la protection contre la foudre).

Dénomination des Modules/ Clé de mise à la terre
Les nouveaux modules SPR sont compatibles avec les onduleurs sans transformateur (TL)
Serie E : SPR- E YY-ZZZ SPR- E YY-ZZZ-BLK SPR- E YY-ZZZ-COM
Serie X: SPR- X YY-ZZZ SPR- X YY-ZZZ-BLK SPR- X YY-ZZZ-COM

Note : Pour les références antérieures, veuillez vous référer au guide d'installation antérieur.

Pour la mise à la terre du cadre, éviter les contacts directs entre l'aluminium et le cuivre en utilisant un métal intermédiaire comme de l'acier ou de l'étain.

4.2 Connexion en série

Les modules peuvent être montés en série afin d'obtenir la tension de sortie voulue. Ne pas excéder la tension maximale du système.

4.3 Montage parallèle

Les modules peuvent être montés en parallèle pour obtenir le courant de sortie voulue.

Des diodes de dérivation sont montées en usine sur les modules. Se reporter aux codes régionaux et locaux en vigueur relatifs aux obligations et aux limitations en matière de fusibles concernant le nombre maximum de modules montés en parallèle.

5.0 Montage de module

La Garantie limitée SunPower pour les Modules PV est conditionnée par le montage des modules conformément aux conditions et obligations décrites dans la présente section.

5.1 Considérations relatives au site

Les modules SunPower doivent être installés sur des sites remplissant les conditions suivantes :

Température de fonctionnement : Tous les modules SunPower doivent être installés dans des environnements garantissant qu'ils fonctionneront dans la fourchette de température suivante :

Température de fonctionnement maximum	+ 85 °C, + 185 °F
Température de fonctionnement minimum	- 40 °C, - 40 °F

Un soin tout particulier doit être apporté à la mise en place et au maintien d'une ventilation adéquate entre les modules, en particulier dans les environnements chauds.

Résistance nominale : Les modules SunPower sont conçus pour supporter une charge maximale positive (ou vers le haut, induite, par exemple, par le vent) et négative (ou vers le bas, par exemple, statique) de 2400 Pa lorsqu'ils sont installés dans **toutes** les configurations d'installation décrites dans la Section 5.2. Une résistance nominale de 2 400 Pa correspond approximativement à une vitesse du vent de 200 km/h (125 mph).

Les modules SunPower sont conçus pour supporter une charge maximale négative (ou vers le bas, par exemple : la charge de neige) de 5400 Pa pour les configurations de montage suivantes, **uniquement** lorsqu'ils sont installés en suivant les conditions d'installation décrites dans la section 5.2. La résistance nominale de 5400Pa a été vérifiée et certifiée par SunPower et le TÜV.

- 1) Les modules de 72 cellules ayant pour dimensions 1559mm x 798mm supportent une charge de 5400 Pa dans les configurations de montage décrites dans la section 5.2 en dessous.
 - a. Trous du cadre
 - b. Attaches ou brides de serrage
 - c. Montage d'extrémité
- 2) Les modules de 96 cellules ayant pour dimensions 1559mm x 1046mm supportent une charge de 5400 Pa dans les configurations de montage décrites dans la section 5.2.
 - a) Trous du cadre
 - b) Attaches ou brides de serrage

Dans les régions à fort enneigement et exposées à des vents importants, le montage des modules doit se faire de manière à assurer une résistance nominale suffisante et en respectant les codes locaux.

Environnements d'exploitation autorisés :

Les Modules peuvent être installés dans les environnements agressifs dans le respect des limites suivantes :

Corrosion dus à un environnement salin selon la Norme CEI 61701 (Sévérité 6)

Corrosion dus à un environnement ammoniacal : Limite à respecter en dessous de 6,667ppm

Environnements d'exploitation exclus :

Certains environnements d'exploitation ne sont pas recommandés pour les modules SunPower, et sont exclus de la Garantie limitée SunPower.

Aucun module SunPower ne doit être monté sur un site où il peut être exposé à un contact direct avec l'eau salée.

5.2 Configurations d'installation

Les modules peuvent être montés avec n'importe quel angle, de l'horizontale à la verticale. Sélectionnez l'orientation adéquate afin d'optimiser l'exposition au rayonnement solaire. Des informations spécifiques relatives aux dimensions du module et à l'emplacement des trous de montage et de mise à la terre sont contenues dans les Schémas 2 et 3.

Pour éviter que l'eau ne pénètre dans le boîtier de raccordement, ce qui pourrait impliquer des risques pour la sécurité, les modules ne doivent pas être montés avec le verre de la face avant tourné vers le bas (par exemple, sur une structure suiveuse positionnant le module avec le boîtier de raccordement tourné vers le haut lorsque le système est en mode sommeil).

Il est nécessaire de prévoir un espace entre le cadre des modules et la structure ou le sol pour éviter de risquer d'abîmer les câbles, ainsi que pour permettre la circulation de l'air derrière les modules.

Lors de l'installation des modules sur un toit, un espace minimum de 4 mm entre les modules est recommandé.

Lors de l'installation en toiture, le module doit être installé conformément aux réglementations locales pour les constructions et la sécurité incendie. Dans le cas d'un module installé dans un système photovoltaïque intégré à la toiture (BIPV), celui-ci doit être installé au-dessus d'un écran de sous toiture étanche et ayant un classement au feu conforme à cette application.

Le module n'est certifié par le TUV que lorsque l'intégrité de son cadre d'origine a été totalement préservée. Ne pas déposer le cadre du module, ni le modifier en aucune manière. Percer des trous de montage supplémentaires est susceptible d'endommager le module et de réduire la solidité du cadre.

L'utilisation des brides et des attaches de fixation avec des boulons de prise de terre ou des feuilles métalliques de mise à la terre doit être en conformité avec ce manuel d'instructions de sécurité et d'installation.

Les modules doivent être impérativement montés conformément aux méthodes ci-dessous :

- 1) **Trous du cadre :** Fixer le module sur la structure en utilisant les trous de montage réalisés en usine. Il est recommandé d'utiliser quatre vis en acier inoxydable M6, avec boulons, rondelles et rondelles de blocage pour chaque module. Se référer aux schémas 2 et 3 pour les dimensions et la localisation des trous de fixation du module.

Seuls les trous de fixation qui sont à 322mm de l'extrémité courte du module peuvent être utilisés pour permettre au module de supporter une résistance de 5400 Pa (ex : charge de neige).

- 2) **Attaches ou bride de serrage :** Monter le module en installant les brides du côté latéral (côté le plus long) du module. L'axe longitudinal des brides doit être situé à une distance comprise entre 160 et 400 mm de l'extrémité courte du module pour une résistance nominale de 2400 Pa et entre 250mm-400mm à partir de l'extrémité courte du module pour une résistance de 5400 Pa (ex : charge de neige).
- 3) Les installateurs doivent s'assurer que la résistance des attaches de serrage est suffisante compte tenu de la pression maximale à laquelle le module peut être soumis. Les brides et attaches de serrage ne sont pas fournies par SunPower.
- 4) **Montage d'extrémité :** Le montage d'extrémité est le montage de fixation de l'extrémité du cadre du module sur un rail de support. Les extrémités du cadre sont les côtés les plus courts du module. Le rail de montage d'extrémité, les brides ou les attaches de serrage doivent être suffisamment solides pour résister à la pression maximale à laquelle le module peut être soumis. Vérifier cette capacité avec le fournisseur du système de montage avant installation.
- 5) **Montagne central : (Seulement pour les Tracker T0 et T20)** Une bride peut être utilisée comme élément de fixation pour serrer le dessous du cadre par le centre des grands côtés. La longueur de serrage minimum est de 150 mm à partir du dessus de la bride et de 100 mm à partir du bas. Les brides doivent être d'une tenue mécanique suffisante pour supporter la pression maximale à laquelle le module peut être soumis. Vérifier la pression maximale de ce système de montage avec le fournisseur avant l'installation.
- 6) **Les systèmes de montage spécifiques ou fournis par SunPower.** Les modules montés dans le strict respect du guide d'installation de SunPower avec les systèmes de montage spécifiques ou fournis par SunPower.

5.3 Manipulation des modules pendant l'installation

Ne pas placer la face avant des modules en contact direct avec des surfaces abrasives, comme les toits, les allées, les palettes en bois, les rampes, murs crépis, etc...

Le verre en face avant du module est sensible aux huiles et à des surfaces abrasives, ce qui pourrait entraîner des rayures et salissures irrégulières. Les modules doivent être protégés de la pluie ou de toute sorte de liquide pouvant survenir pendant le stockage. Les modules doivent être stockés à une température entre 10°C et 40°C, dans un endroit sec (humidité entre 30 et 80%). Ne pas stocker les modules à l'extérieur pour éviter les conditions humides.

Les modules en verre antireflet sont sujets à des marques visibles d'empreintes digitales si la surface en verre est touchée. SunPower recommande la manipulation des modules en verre antireflet avec des gants (pas de gants en cuir) ou en évitant de toucher la surface en verre. Toutes marques d'empreintes digitales disparaissent avec le temps ou peuvent être réduites en suivant les instructions de

lavage de la section 6.0. Tout écran de protection (plastique de couleur, ruban adhésif ou similaire) pendant l'installation peut laisser de marques de décoloration permanentes sur le verre de face avant et n'est pas recommandé. L'utilisation de ventouses de levage peut aussi causer des marques permanentes sur le verre.

Eviter les zones d'ombres pendant l'installation du système. Le Système ne doit pas être mis sous tension avant que l'échafaudage ne soit retiré du toit.

En cas de maintenance, veuillez à déconnecter le système pour éviter toute zone d'ombre (brosse de ramonage, outils, antenne....)

6.0 Maintenance

SunPower recommande une inspection visuelle régulière des modules pour assurer la sécurité des connexions électriques, de bonne liaison mécanique et empêcher la corrosion.

Cette inspection visuelle ne doit être faite que par du personnel qualifié.

Le nettoyage périodique des modules est recommandé, mais n'est pas obligatoire. Les nettoyages périodiques améliorent les performances des modules en particulier dans les régions avec de

Schéma 2: 72 cellules

faibles niveaux de précipitations annuelles (moins de 46.3cm). Consultez votre distributeur ou fournisseur pour les recommandations de nettoyage dans votre région.

Pour nettoyer votre module, veuillez le laver avec de l'eau froide à pression normale ou avec un système à haute pression allant jusqu'à 100 bar (distance min de 50cm). Il est aussi recommandé d'utiliser un jet large et non centré, ainsi que de l'eau à températures ambiantes. Les empreintes digitales, les taches, ou accumulation de déchets peuvent être enlevées de la manière suivante :

- D'abord rincer et laisser tremper pendant une courte période de temps (5 minutes)

- Mouiller à nouveau les modules et utiliser une éponge douce ou lisse pour essuyer la surface en verre d'un mouvement circulaire. Les empreintes digitales peuvent être généralement enlevées avec un chiffon doux ou une éponge légèrement humide.

- N'utilisez pas de produits de nettoyage agressifs tels que de la poudre à récurer, de la laine d'acier, des grattoirs, des lames, ou d'autres instruments pour nettoyer la surface en verre du module. En cas de besoin consulter le service technique SunPower.

MM (IN) (A) - TROUS DE MONTAGE 12X Ø6.6 [.26] (B) - TROUS DE MISE À LA TERRE 10X Ø4.2 [.17]

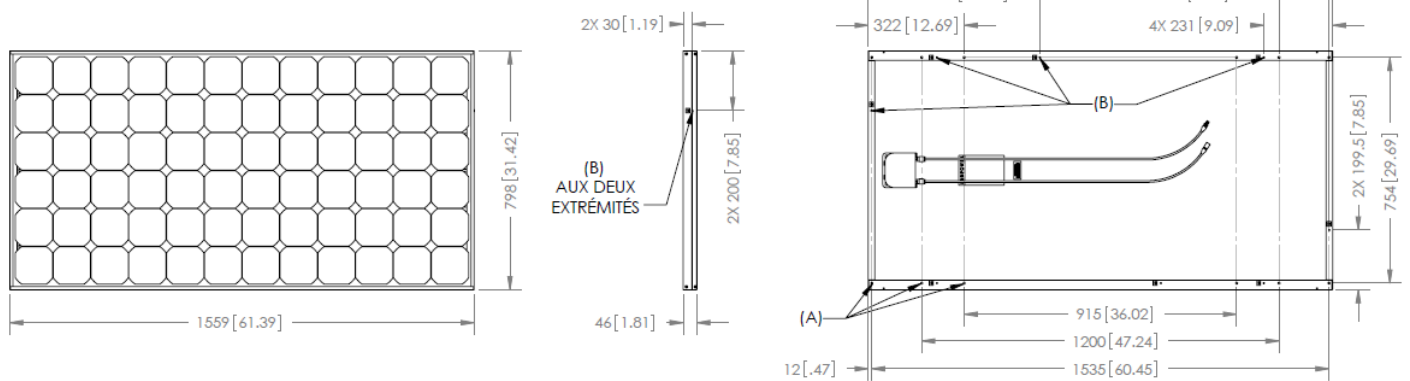
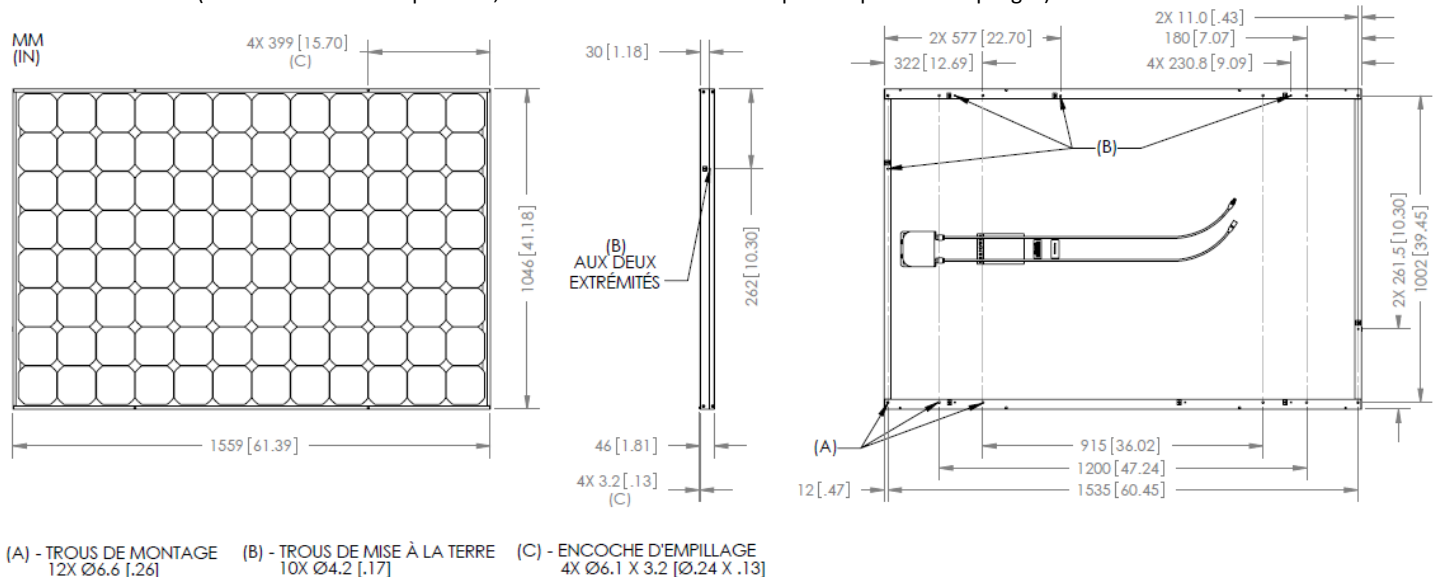


Schéma 3: 96 cellules (Vérifier sur les fiches produits, Tous les modules n'utilisent pas des points d'empilages)



(A) - TROUS DE MONTAGE 12X Ø6.6 [.26] (B) - TROUS DE MISE À LA TERRE 10X Ø4.2 [.17] (C) - ENCOCHE D'EMPILAGE 4X Ø6.1 X 3.2 [Ø.24 X .13]



Sicherheitshinweise und Installationsanleitung

Dieses Dokument gilt für SunPower-PV Module:

Sprache:

Deutsch

SunPower Corporation
www.sunpower.com

Sicherheits- und Installationsanleitung**(Deutsch - IEC-Version)****NEU:**

Dieses Handbuch enthält die Referenzen zu den neuen Modulen der E20 Serie (SPR-EYY-ZZZ) und X21-X22 Serie (SPR-XYZ-ZZZ). Diese 2 Serien sollten in einem System nicht gemischt werden! **Die neuen Module der Serie E und X können mit transformatorlosen Wechselrichtern (TL) betrieben werden** (s. Abs. 4.1)

1.0 Einleitung

Dieses Handbuch enthält Sicherheits- und Installationsanleitungen für IEC-zertifizierte photovoltaische Module von SunPower, die mit dem TÜV-Prüfsiegel auf dem Produktschild gekennzeichnet sind.

Hinweis: Die tatsächliche ID-Nummer kann abweichen.



Wichtig! Vor der Installation, Verkabelung oder jeglicher Verwendung des Produkts sollten Sie diese Anleitung sorgfältig durchlesen. Wenn Sie sich nicht an diese Anleitung halten, verfällt die Garantie für die

1.1 Haftungsausschluss

Die Installationsmethoden, der Umgang mit dem Produkt und seine Verwendung liegen außerhalb der Kontrolle des Unternehmens. Aus diesem Grund übernimmt SunPower keine Verantwortung für Verluste, Schäden oder Kosten, die aufgrund von unsachgemäßer Installation, Verwendung oder einem unsachgemäßen Umgang mit dem Produkt entstehen.

1.2 Informationen zur Zertifizierung durch die internationale elektrotechnische Kommission (IEC)

Dieses Produkt entspricht den Anforderungen, die in der IEC-Norm 61215 (2.Ausgabe) und der IEC 61730 für photovoltaische Module für Anwendungen der Klasse A festgelegt wurden bzw. übertrifft diese sogar. Die IEC-Norm gilt für flache PV-Module, die auf Gebäuden oder freistehend installiert werden. Dieses Produkt ist nicht für eine Anwendung geeignet, bei der künstlich konzentriertes Sonnenlicht auf die Module einwirkt.

1.3 Garantie

Die Garantie der Module wird in den Garantiebedingungen von SunPower näher beschrieben, die unter www.sunpower.com erhältlich sind.

Die Garantien gelten nicht, wenn und soweit:

- die PV Module unsachgemäß installiert, benutzt, gewartet oder demontiert bzw. verändert oder beschädigt worden sind, insbesondere, aber nicht hierauf beschränkt, durch Nichtbefolgung der SunPower Installations-, Gebrauchs- und/oder Wartungsanweisungen (Deutsche Version)
- bei Überspannung, Blitzschlag, Flut, Feuer, Beschädigungen oder sonstige Umstände, für die SunPower nicht verantwortlich ist, zustande gekommen sind.

2.0 Sicherheitsmaßnahmen

Vor der Installation dieses Geräts, sollten Sie sich mit allen Sicherheitshinweisen in diesem Handbuch vertraut machen.

Achtung! Modulverbindungen führen Gleichstrom (DC) und stellen bei Lastbetrieb und unter Lichteinfall unter Spannung. **Bei falschen Anschlüssen, Unterbrechungen sowie Kontakte mit zerschlossenen oder abgerissenen Modulleitern, kann Gleichstrom einen Lichtbogen ziehen und zu Verletzungen oder zum Tod führen.** Module dürfen weder angeschlossen noch getrennt werden, wenn diese Strom erzeugen oder unter Strombelastung stehen.

- Bevor Sie elektrische Verbindungen herstellen oder trennen, bedecken Sie alle Module der PV-Anlage mit einem trockenen, sauberen und lichtundurchlässigen Tuch oder ähnlichem Material
- Trennen Sie nicht die Module vom Wechselrichter, wenn dieser noch eingeschaltet ist. Schalten Sie den Wechselrichter zuerst aus, bevor Sie die Module trennen, demontieren oder anderweitige Arbeiten durchführen wollen
- Es ist zwingend erforderlich die gelieferten Steckverbinder mit Sicherungshülse bei der Installation zu verwenden, um zu verhindern, dass unbefugte Personen die elektrischen Verbindungen trennen können
- Alle Installationen müssen unter Beachtung aller geltenden regionalen und örtlichen Vorschriften erfolgen
- Das Modul enthält keine Einzelteile, die vom Benutzer gewartet werden können. Es ist nicht gestattet einzelne Teile des Moduls zu reparieren
- Die Installation sollte nur von autorisierten Fachleuten durchgeführt werden
- Legen Sie vor der Installation dieses Produkts alle metallischen Schmuckstücke ab, um die Möglichkeit eines unabsichtlichen Kontakts mit stromführenden Leitungen zu vermeiden
- Verwenden Sie isolierte Werkzeuge, um die Gefahr eines Stromschlags auszuschließen
- Stellen Sie sich nicht auf die Module, lassen Sie keine Gegenstände darauf fallen und vermeiden Sie Kratzer auf der Vorderseite der Module. **Das Laufen auf den Modulen ist verboten!**
- Beschädigte Module (Glasbruch, eingerissene Rückseitenfolie, beschädigte Anschlussdosen oder Steckverbinder) können durch Berühren des Laminates oder des Rahmens einen elektrischen Schlag oder Verletzungen verursachen. Der Installateur hat das defekte Modul auszubauen und sich mit seinem Lieferanten in Verbindung zu setzen, um es zu ersetzen
- Installieren bzw. handhaben Sie die Module nicht bei nassem Wetter oder bei starkem Wind
- Wenden Sie sich an den Lieferanten der Module, falls diese gewartet werden müssen
- Bewahren Sie diese Anleitung auf

3.0 Elektrische Daten

Die elektrische Leistung der Module wird gemäß der Standardtestbedingungen (STC) gemessen: 1000 W/m² Einstrahlung auf Modulebene mit einem Spektrum von AM = 1,5 G bei einer Zelltemperatur von 25° C.

In allen Modulen sind werksseitig Bypassdioden in der Anschlussdose eingebaut. Die Dioden haben folgende elektrische Eigenschaften:

1. 8A, 100V PIV (Peak Inverse Voltage) für 72 & 96 Zellen Module.
2. 12A, 200V PIV (Peak Inverse Voltage) für 128 Zellen Module.

Ein PV-Modul kann mehr Stromstärke sowohl auch mehr Spannung erzeugen als unter den Standardtestbedingungen gemessen wird. Sonniges, kühles Wetter und durch Schnee oder Wasser bedingte Reflektionen können zu einer Erhöhung der erzeugten Stromstärke und Spannung führen. Aus diesem Grund sollten die auf dem Modul angegebenen Werte für Isc (Kurzschlussstrom) und Voc (Leerlaufspannung - Uoc) bei der Festlegung der Spannungsbereiche, der Strombelastbarkeit der Leiter, der Sicherungsgrößen und der Größe der Steuerleitungen, die an den PV-Ausgang angeschlossen werden, mit dem Faktor 1,25 multipliziert werden. Zur Dimensionierung von Sicherungen und Leitern könnten bei bestimmten Elektrovorschriften ein weiterer Multiplikator von 1,25 erforderlich sein.

Zur Bestimmung der max. Systemspannung empfiehlt SunPower die Angaben zur Leerlaufspannung und dem entsprechenden Temperaturkoeffizienten aus den Modul-Datenblättern heranzuziehen.

4.0 Elektrische Anschlüsse

Sofern bestimmte Voraussetzungen eingehalten werden, können die Module in Reihe oder parallel verschaltet werden. In einer kombinierten Verschaltung dürfen nur Module vom gleichen Typ verwendet werden.

SunPower-Module werden mit Steckverbindern mit Sicherungshülse geliefert, welche einmal elektrisch mit anderen Modulen verbunden, nur mit einem Werkzeug wieder getrennt werden können. Dies verhindert eine Trennung der elektrischen Verbindung von unter Last stehenden Modulen durch Unbefugte und berücksichtigt kommende Änderungen in der IEC 61730.

SunPower empfiehlt, dass alle Kabel doppelt isoliert werden und eine Hitzebeständigkeit von mindestens 85°C erfüllen. Alle Kabel sollten aus flexiblem Kupferdraht bestehen. Die Mindestgröße wird durch die geltenden Vorschriften bestimmt. Wir empfehlen einen Querschnitt von mindestens 4 mm². Die Isolierungsart sollte für die verwendete Installationsmethode geeignet sein und muss der Schutzklasse II (SKII) sowie der Norm IEC 61730 entsprechen.

4.1 Geräte- und Systemerdung

Die spezifischen Voraussetzungen (z.B. Blitzschutz) entnehmen Sie bitte den geltenden regionalen und örtlichen Vorschriften zur Erdung von PV-Anlagen und Montagerahmen.

Modul-Typ	
Die neuen Module der Serie E und X können mit	transformatorlosen Wechselrichtern (TL) betrieben werden
SPR- E YY-ZZZ / SPR- E YY-ZZZ-BLK / SPR- E YY-ZZZ-COM	
SPR- X YY-ZZZ / SPR- X YY-ZZZ-BLK / SPR- X YY-ZZZ-COM	

Beachte: Für ältere Model-Typen beziehen sie sich bitte auf die vorherigen Bedienungsanleitungen, Versionen A bis H.

Bei Durchführung einer Rahmenerdung, vermeiden Sie auf jeden Fall eine direkte Verbindung von Aluminium mit Kupfer unter

Verwendung eines dazwischen liegenden Metallstücks wie z.B. Stahl oder Blech.

4.2 Anschluss in Reihenverschaltung

Die Module können in Reihe verschaltet werden, um die gewünschte Spannung zu liefern. Die maximale Systemspannung darf dabei nicht überschritten werden.

4.3 Parallelverschaltung

Die Module können in Parallelschaltung angeschlossen werden, um den gewünschten Strom zu erzeugen. Jeder Modulstrang bzw. jedes Modul muss vor dem Anschluss an andere Stränge mit einer Sicherung versehen werden, wenn dadurch der max. zulässige Rückstrom überschritten wird. Die max. Sicherungsgröße entnehmen Sie bitte den jeweiligen Modul-Datenblättern. Bypass-Dioden sind bereits werksseitig in den Modulen installiert. Weitere Anforderungen für Sicherungen und Beschränkungen der maximalen Anzahl von parallel verschalteten Modulen entnehmen Sie bitte den regionalen und örtlichen Vorschriften.

5.0 Montage der Module

Die Garantie für PV-Module von SunPower ist abhängig davon, dass die Module gemäß den in diesem Abschnitt beschriebenen Anforderungen montiert werden.

5.1 Hinweise zum Aufstellungsort

SunPower-Module sollten an Standorten montiert werden, die die folgenden Voraussetzungen erfüllen:

Betriebstemperatur: Alle SunPower-Module müssen in Umgebungen montiert werden, die gewährleisten, dass die folgenden maximalen und minimalen Betriebstemperaturen für die Module eingehalten werden:

Maximale Betriebstemperatur	+85 °C
Minimale Betriebstemperatur	-40 °C

Vor allem in heißen Klimazonen sollte darauf geachtet werden, dass hinter den Modulen eine ausreichende Luftzirkulation ermöglicht wird.

Festigkeitsauslegung: SunPower-Module sind so konzipiert, dass sie einer maximalen positiven (bzw. aufwärts wirkenden, z. B. Wind) und negativen (bzw. abwärts wirkenden, z. B. statische Last) Last von 2400 Pa standhalten, wenn sie gemäß einer der Montagekonfigurationen in Abschnitt 5.2 montiert werden. Eine Festigkeitsauslegung von 2400 Pa entspricht ungefähr einer Windgeschwindigkeit von 200 km/h.

SunPower-Module sind so konzipiert, dass sie einer maximalen negativen (bzw. abwärts wirkenden, z. B. Schneelast) Last von 5400 Pa standhalten, wenn sie nur gemäß der Montagekonfigurationen in Abschnitt 5.2 montiert werden. 5400 Pa sind von SunPower nachgewiesen und vom TÜV zertifiziert worden.

- 1) 72 Zellen-Module mit den Abmessungen 1559mm x 798mm erreichen die 5400 Pa in folgenden Befestigungskonfigurationen, beschrieben in Abschnitt 5.2
 - a. Rahmenbohrungen
 - b. Montageklemmen oder -clips
 - c. Endbefestigung
- 2) 96 Zellen-Module mit den Abmessungen 1559mm x 1046mm erreichen die 5400 Pa in folgenden

Befestigungskonfigurationen, beschrieben in
Abschnitt 5.2

- a. Rahmenbohrungen
- b. Montageklappen oder -clips

Bei der Montage von Modulen in Umgebungen mit Schneefall oder starkem Wind, sollte besonders darauf geachtet werden, die Module so zu befestigen, dass Sie eine ausreichende Festigkeitsauslegung aufweisen und die lokalen Vorschriften einhalten.

Zusätzlich, erlaubte Betriebsumgebungen:

Module können in den folgenden extremen Umgebungsbedingungen installiert werden, mit Bezug auf die Testergebnisse der hier erwähnten Zertifikate.

Salznebeltest: IEC 61701 Stufe 6 (höchste Stufe)

Ammoniak-Korrosionsbeständigkeit: getestet bis zu einer Konzentration von 6,667 ppm

Ausgeschlossene Betriebsumgebungen: Bestimmte

Betriebsumgebungen werden nicht für SunPower-Module empfohlen, die in diesem Fall nicht von der Garantie von SunPower abgedeckt sind.

SunPower-Module dürfen nicht an Standorten aufgestellt werden, an denen sie in direkten Kontakt mit Salzwasser kommen können.

5.2 Montagekonfigurationen

Module können in jedem Winkel, von horizontal bis vertikal, befestigt werden. Wählen Sie die geeignete Orientierung aus, um einen maximalen Sonneneinfall zu erreichen. Spezifische Informationen zu den Abmessungen des Moduls, des Montageorts und den Erdungsbohrungen sind weiter unten aufgeführt (Abbildung 2, 3).

Um zu verhindern, dass Wasser in die Anschlussdose gelangt, was zu einem Sicherheitsrisiko führen könnte, sollten die Module nicht so montiert werden, dass die vordere/obere Glasplatte nach unten zeigt (z. B. bei einem Nachführungssystem bzw. Tracker). Die Module sollten möglichst im Ruhezustand so positioniert werden, dass die Anschlussdose gen Himmel gerichtet ist.

Zwischen den Modulrahmen und dem Gestell oder dem Erdboden muss ausreichend Abstand vorhanden sein, um eine Beschädigung der Kabel zu vermeiden und eine ausreichende Luftzirkulation hinter dem Modul zu gewährleisten.

Der von SunPower vorgeschriebene Abstand zwischen den Modulen, auf dem Gestell des verwendeten Daches montiert, beträgt 4 mm zu allen Seiten.

Bei der Installation auf einem Dach muss das Modul über einer feuerfesten Bedachung montiert werden, die für eine derartige Anwendung ausgelegt ist. Dabei sind die örtlichen und regionalen Gebäude- und Brandschutzvorschriften zu befolgen. Wird das Modul in einer gebäudeintegrierten Anwendung (GIPV) verbaut, soll es über einer wasserdichten und feuergeschützten Unterlage installiert werden.

Der Modulrahmen darf laut TÜV-Zertifizierung weder entfernt noch modifiziert werden. Durch Bohren von weiteren Montagelöchern kann das Modul beschädigt und die Festigkeit des Rahmens reduziert werden.

Die Module dürfen nur gemäß den folgenden Methoden montiert werden:

- 1) **Rahmenbohrungen:** Befestigen Sie das Modul mithilfe der werkseitig angebrachten Montagebohrungen am Gestell. Pro Modul werden vier M6 (¼ Zoll) Edelstahlschrauben mit Muttern, Distanzscheiben und Federringen empfohlen (siehe Abbildung 2, 3 für die Abmessungen des Moduls und die Positionen der Montagebohrungen). Nur mit den Rahmenbohrungen (322 mm von der Modulecke) kann die max. Last von 5400 Pa (z.B. Schneelast) ohne Schäden erreicht werden.
- 2) **Klemmen oder Clips:** Befestigen Sie das Modul so, dass sich die Clips am Seitenrahmen des Moduls befinden. Die Seitenrahmen sind an den Längsseiten des Moduls befestigt. Die Mittellinie der Clips sollte sich 160-400mm vom Modulende entfernt befinden, um 2400 Pa (z.B. Schneelast) max. Last zu widerstehen. Um 5400 Pa (z.B. Schneelast) max. Last zu widerstehen, sollte sich die Mittellinie der Clips zwischen 250-400mm vom Modulende entfernt befinden. Achten Sie darauf, dass die Clips oder Klemmen ausreichend belastbar sind, um die maximale Festigkeitsauslegung für das Modul zu erzielen. Clips und Klemmen werden nicht von SunPower bereitgestellt.
- 3) **Endbefestigung:** Eine Endbefestigung ist die Befestigung des Modulendrahmens mittels Klammern an einer Befestigungsschiene. Die Endrahmen befinden sich an den kurzen Seiten des Moduls. Die Endbefestigungsschiene und die Clips oder Klemmen müssen ausreichend belastbar sein, um die maximale Festigkeitsauslegung des Moduls zu erfüllen. Erkundigen Sie sich bei Ihrem Lieferanten des Befestigungssystems vor der Installation bezüglich dieser Funktion.
- 4) **Durch SunPower freigegebene oder von SunPower gelieferte Befestigungssysteme.** Dies sind Module, die genau nach Anleitung von SunPower mit Systemen, die entweder von SunPower geliefert oder speziell von SunPower freigegeben wurden, montiert werden.

5.3 Behandlung der Module während der Installation

Legen Sie die Module mit der Vorderseite nie direkt auf rauen Untergrund, wie Dächer, Wege, Holzpaletten, Geländer, Rauputz, usw.

Das Modulglas ist Ölen und schleifenden Oberflächen gegenüber empfindlich. Der Kontakt mit diesen kann zu Verschmutzungen oder Kratzern führen. Die Module müssen gegen Regen oder jeglicher Art von Flüssigkeit geschützt werden, nachdem Sie angeliefert und vor Ort gelagert werden. Die vorgeschriebene Lagertemperatur liegt zwischen 10°C und 40°C bei trockener Umgebung (Feuchtegehalt zwischen 30 und 80%). Lagern Sie die Module nicht außerhalb, um stehende Nässe zu vermeiden.

Module mit Antireflexglas sind anfällig für Fingerabdrücke durch direktes Berühren. SunPower empfiehlt diese Module mit Handschuhen (keine Lederhandschuhe verwenden) zu montieren und ein Berühren der Glasoberfläche zu verhindern. Durch Selbstreinigung oder Pflegemaßnahmen (unter Punkt 6.0) können diese Fingerabdrücke wieder entfernt werden. Jegliche Verwendungen von Modulabdeckungen werden nicht empfohlen, wie z.B. farbige PVC-Folien oder ähnliches. Diese können während der Installation zu permanenten Verfärbungen auf dem Frontglas führen.

Während des Betriebs der PV-Anlage sind Verschattungseinflüsse unbedingt zu vermeiden. Die PV- Anlage darf nicht in Betrieb

genommen werden, bevor Montagegerüst, Absturzsicherung, Geländer usw. entfernt worden sind.

Die Anlage muss darüber hinaus während der Wartungsarbeiten, die Schatten verursachen können, abgeschaltet werden (z.B. Reinigung des Kamins, Dacharbeiten, Installation von Antennen- oder Satellitenschüsseln usw.)

6.0 Wartung

SunPower empfiehlt eine jährliche Überprüfung auf sichere elektrische Anschlüsse, feste mechanische Verbindungen und Korrosionsfreiheit der Module. Die Überprüfung sollte durch SunPower zertifizierte Händler/Installateure durchgeführt werden.

Reinigen Sie die Oberfläche des Moduls periodisch mit warmen Wasser und einem weichen Tuch oder Schwamm. Das Reinigen mit Hochdruckreinigern ist möglich mit einem max. Druck von 100 bar (min. Abstand 50cm) erlaubt. Bei der Verwendung eines

Hochdruckreinigers ist, neben max. Druck und Abstand, auch darauf zu achten, dass kaltes Wasser ohne Reinigungszusätze und eine diffus strahlende Sprühlanze verwendet wird. Reinigen Sie Module nicht bei starker Sonneneinstrahlung, aufgrund von vorherrschenden hohen Modultemperaturen. Fingerabdrücke können mit herkömmlichem Glasreiniger entfernt werden. Verwenden Sie keine rauen Reinigungsmittel wie Scheuerpulver, Stahlwolle, Kratzer, Klingen oder andere scharfe Gegenstände, um die Glasoberfläche des Moduls zu reinigen. Bei Verwendung derartiger Mittel und Werkzeuge verfällt die Produktgaranti

Abbildung 2: 72-Zellen

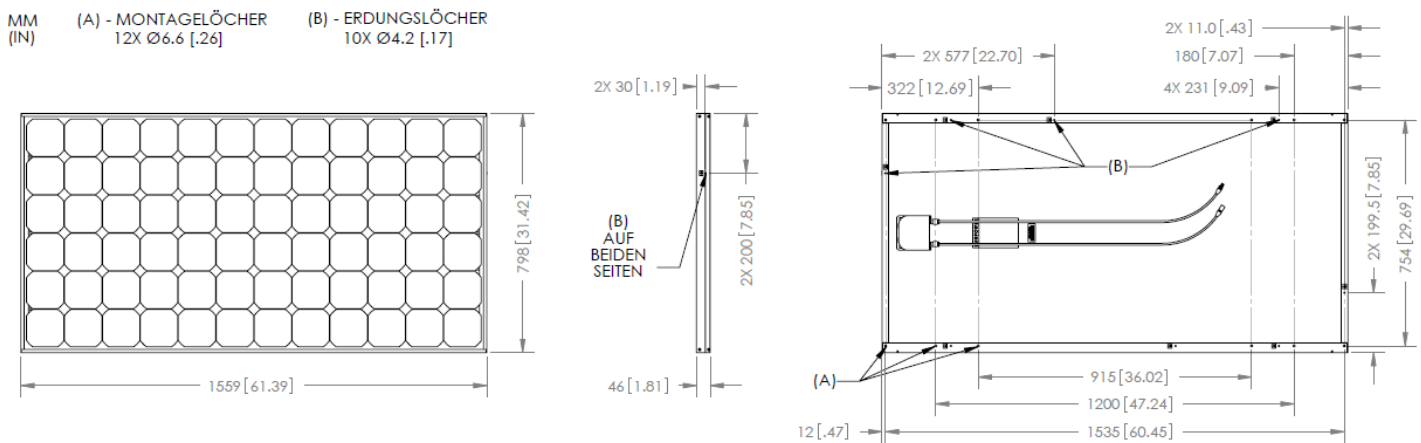
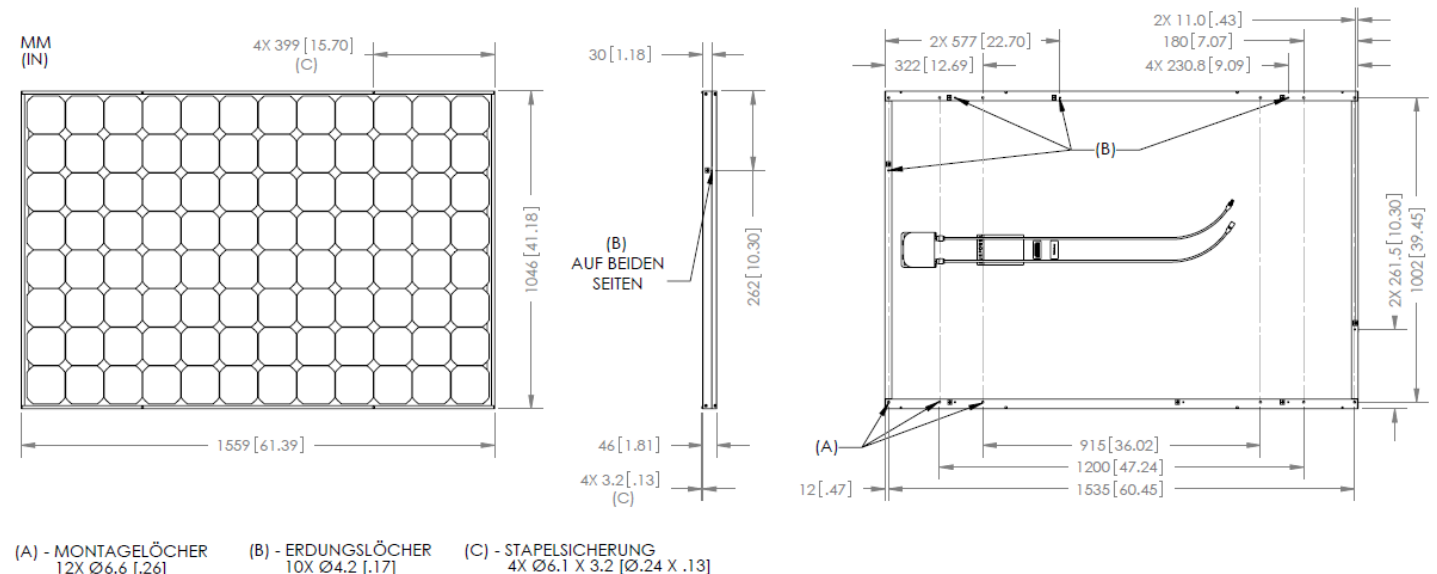


Abbildung 3: 96-Zellen (Note Nicht alle Module sind mit Stapelsicherungen ausgestattet – prüfen Sie dazu das Datenblatt)





Istruzioni per la sicurezza e l'installazione

Questo documento riguarda moduli PV di SunPower:

Lingua:

Italiano

SunPower Corporation
www.sunpowercorp.com

Istruzioni per la sicurezza e l'installazione**(Italiano – Versione IEC)****Novità:**

Questo documento contiene riferimenti a moduli fotovoltaici SunPower serie E (SPR-EYY-ZZZ) e serie X (SPR-XYZ-ZZZ) Non installare moduli serie E ed X nello stesso sistema. I moduli della serie E ed X non richiudono la messa a terra del polo positivo e sono compatibili con gli inverter senza trasformatore (rif. paragrafo 4.1)

1.0 Introduzione

Questo manuale contiene istruzioni per la sicurezza e l'installazione dei moduli fotovoltaici (PV) SunPower elencati da IEC che riportano il logo TUV sull'etichetta del prodotto (Figura 1). **Nota:** il numero di ID effettivo potrebbe variare.



www.tuv.com
ID 0000022009

Figura 1

Importante! Leggere questa scheda di istruzioni nella sua interezza prima di installare, cablare o utilizzare questo prodotto. La mancata conformità a queste istruzioni potrebbe invalidare la garanzia limitata SunPower per i moduli PV.

1.1 Rinuncia di responsabilità

Le tecniche di installazione, la movimentazione e l'utilizzo di questo prodotto non sono di pertinenza dell'azienda. Pertanto SunPower non si assume alcuna responsabilità per perdite, danni o spese risultanti da installazione, movimentazione o utilizzo inadeguati.

1.2 Informazioni sulla Commissione Elettrotecnica Internazionale [International Electrotechnical Commission (IEC)]

Questo prodotto è conforme o supera i requisiti imposti dall'IEC 61215, Edizione 2 e dall'IEC 61370 per moduli PV per applicazioni di Classe A. Lo standard IEC riguarda i moduli PV piani intesi per l'installazione su edifici ed a terra. Questo prodotto non è inteso per l'uso in ambienti in cui viene applicata al modulo luce solare concentrata artificialmente.

1.3 Garanzia limitata

Le garanzie limitate dei moduli vengono descritte nei certificati di garanzia SunPower reperibili sul sito Web www.sunpowercorp.com.

Le garanzie perdono di validità nei seguenti casi:

- Moduli PV i quali, secondo il giudizio inderogabile di SunPower sono stati soggetti a: utilizzo improprio, negligenze o incidenti; alterazioni, installazioni o rimozione improprie (durante la fase di installazione, ed in altri momenti), installazioni e rimozioni effettuate da terzi e dealer non autorizzati SunPower.
- la non osservanza delle istruzioni indicate nel manuale di installazione e manutenzione Sunpower;

Riparazioni e modifiche eseguite da personale che non sia un tecnico del service SunPower; sovraccarichi, fulminazioni, allagamenti, incendi, rotture accidentali o altri eventi al di fuori del controllo di SunPower.

2.0 Precauzioni per la sicurezza

Prima dell'installazione di questo dispositivo si consiglia di leggere tutte le istruzioni contenute in questo manuale.

Pericolo! Le interconnessioni dei moduli fanno passare corrente continua (CC) e sono fonte di tensione se il modulo è sotto carico o esposto a luce solare. **La corrente diretta può creare un arco in presenza di interruzioni e causare lesioni o morte in caso di connessione o scollegamento incorretti o in caso di contatto tra i conduttori di moduli danneggiati.** Non collegare o scollegare i moduli in presenza di corrente proveniente dai moduli o da una fonte esterna.

- Coprire tutti i moduli della serie PV con un panno o materiale opaco prima di effettuare o interrompere le connessioni elettriche.
- E' tassativo utilizzare i connettori con dispositivi anti sganciamento e clips di sicurezza messi a disposizione per evitare che personale non specializzato disconnetta i moduli una volta installati.
- Tutte le installazioni vanno eseguite in conformità con tutti i codici regionali e locali di pertinenza.
- All'interno di questo modulo non vi sono parti riparabili. Non tentare di riparare parti del modulo.
- L'installazione va eseguita solo da personale autorizzato.
- Prima di installare questo prodotto, togliere bigiotteria/gioielli metallici per ridurre la possibilità di esposizione fortuita a circuiti alimentati.
- Usare attrezzi isolati per ridurre il rischio di folgorazione.
- Moduli danneggiati (vetro rotto, back sheet lacerato, scatola diodi di bypass danneggiato, connettori rotti, etc.) possono rappresentare un pericolo dal punto di vista elettrico e meccanico potendo causare gravi lacerazioni; il dealer o l'installatore dovrà rimuovere il modulo dall'impianto e contattare il fornitore per le indicazioni sullo smaltimento
- Non calpestare, non camminare, non cadere e, non graffiare o lasciar cadere oggetti i moduli ed evitare la caduta di oggetti sugli stessi.
- Se il vetro anteriore risulta rotto, oppure se il foglio posteriore è strappato, il contatto con la superficie o il telaio del modulo potrebbe causare folgorazione.
- Non installare o movimentare i moduli se sono bagnati o in presenza di forte vento.
- Per interventi di manutenzione, rivolgersi al produttore dei moduli
- Conservare queste istruzioni!

3.0 Caratteristiche elettriche

I valori elettrici nominali dei moduli sono misurati in condizioni di collaudo standard [Standard Test Condition (STC)] di 1 kW/m² di irraggiamento con uno spettro di AM 1.5 ed una temperatura della cella di 25 °C.

I Diodi di Bypass sono già installati nei moduli. I diodi hanno le seguenti caratteristiche (ratings):

1. 8A, 100 PIV (Peak Inverse Voltage) per moduli da 72 e 96 celle
2. 12A, 200 PIV (Peak Inverse Voltage) per moduli da 128 celle.

Un modulo fotovoltaico potrebbe generare più corrente e/o tensione rispetto a quella riportata nelle STC. Condizioni di tempo soleggiate o fresche ed i riflessi provenienti da neve o acqua possono

umentare la corrente e la potenza in uscita. Pertanto i valori I_{sc} e Voc contrassegnati sul modulo dovrebbero venire moltiplicati per un fattore di 1,25 al momento di determinare la tensione nominale dei componenti, la capacità dei conduttori, la portata dei fusibili e le dimensioni dei controlli collegati all'uscita PV. Alcuni codici per il dimensionamento di fusibili e conduttori potrebbero richiedere un moltiplicatore aggiuntivo di 1,25.

Per determinare la massima tensione del sistema, SunPower suggerisce di utilizzare il valore di tensione a vuoto indicato nelle schede tecniche.

4.0 Connessioni elettriche

I moduli possono essere collegati in serie e/o in parallelo per ottenere l'uscita elettrica desiderata, ammesso che si rispettino talune condizioni. In caso di circuito combinato, accertarsi di usare esclusivamente lo stesso tipo di moduli.

I connettori dei moduli Sunpower sono provvisti di clip di sicurezza anti sganciamento, i quali una volta connessi richiedono l'utilizzo di uno strumento per la disconnessione del collegamento tra modulo e modulo. Questo evita che personale non autorizzato disconnetta i moduli sotto carico e può essere considerato come un'anticipazione della prossima IEC 61730

SunPower consiglia che tutto il cablaggio disponga di doppio isolamento con una portata minima di 85 °C (185 °F). Tutto il cablaggio deve usare conduttori in rame (Cu) flessibili. La portata minima va determinata in base ai codici vigenti. Consigliamo una portata non inferiore a 4 mm². Il tipo di isolamento deve essere adeguato al tipo di metodo di installazione adottato e deve essere conforme ai requisiti SCII (Classe di sicurezza II) e IEC 61730.

4.1 Messa a terra dell'impianto e delle apparecchiature

Consultare i codici regionali e locali di pertinenza relativi alla messa a terra di un campo di moduli PV e sistemi di montaggio per requisiti specifici (ad esempio, protezione da fulmini ecc.).

Nome Modulo/ Messa a terra
Compatibile con Inverter senza Trasformatore (TL) Nessun requisito di messa a terra (inclusa quindi la messa a terra funzionale delle cornici)
E Serie: SPR-EYY-ZZZ SPR-EYY-ZZZ-BLK SPR-EYY-ZZZ-COM
X Serie: SPR-XYX-ZZZ SPR-XYX-ZZZ-BLK SPR-XYX-ZZZ-COM

Nota: Se si sta installando una vecchia generazione di modulo fotovoltaico, riferirsi a una versione differente/precedente del Manuale di Installazione.

Se si sta eseguendo la messa a terra delle cornici, evitare il diretto contatto tra alluminio e rame utilizzando metalli intermedi tipo acciaio o stagno.

4.2 Connessione in serie

I moduli possono essere cablati in serie per generare l'uscita di tensione desiderata. Non superare la tensione massima del sistema.

4.3 Connessione parallela

I moduli possono essere combinati in parallelo per generare l'uscita di corrente desiderata. Ad ogni stringa della serie o modulo occorre collegare un fusibile prima di effettuare la combinazione con altre stringhe. La scheda tecnica

elena la portata massima consentita per i fusibili. I diodi di bypass vengono installati nei moduli in fase di fabbricazione. Consultare i codici vigenti a livello regionale e locale per ulteriori requisiti sui fusibili ed eventuali limitazioni sul numero massimo di moduli collegati in parallelo.

5.0 Montaggio dei moduli

La garanzia limitata SunPower per i moduli PV dipende dal montaggio dei moduli conformemente ai requisiti descritti in questa sezione.

5.1 Considerazioni sul sito

I moduli SunPower vanno montati in punti conformi ai seguenti requisiti:

Temperatura d'esercizio: tutti i moduli SunPower vanno montati in ambienti che ne garantiscano il funzionamento entro le seguenti temperature d'esercizio massime e minime:

Temperatura d'esercizio massima	+85 °C, +185 °F
Temperatura d'esercizio minima	-40 °C, -40 °F

Prestare attenzione per garantire un'adeguata ventilazione dietro i moduli, soprattutto in ambienti molto caldi.

Robustezza del design: i moduli SunPower sono concepiti per sostenere un carico positivo massimo (verso l'alto, ad esempio, vento) e negativo (verso il basso, ad esempio, carico statico) di 2400 Pa (Pascals; 240 kg/m²) se montati in **tutte** le configurazioni specificate nella Sezione 5.2. Una robustezza del design di 2400 Pa corrisponde ad una velocità del vento di circa 200 km/h (125 mph).

I moduli SunPower sono progettati per sopportare un carico massimo negativo (verso il basso, come ad esempio il carico neve) di 5400 Pa (Pascals; 550 kg/m²) per le seguenti configurazioni di montaggio **solo** se installate compatibilmente con la sezione 5.2 riportata in seguito. La robustezza del design compatibilmente ai 5400 Pa è stata verificata da SunPower; la certificazione TUV è disponibile.

- Moduli a 72 celle con dimensioni pari a 1559mm x 798mm sono compatibili con il carico di 5400 Pa nelle seguenti configurazioni di montaggio descritte nella sezione 5.2
 - Fori del telaio
 - Morsetti o pinze a pressione
 - Montaggio su lato corto
- Moduli a 96 celle di dimensioni pari a 1559mm x 1046mm sono compatibili con il carico di 5400 Pa nelle seguenti configurazioni di montaggio descritte nella sezione 5.2
 - Fori del telaio
 - Morsetti o pinze a pressione

Al momento di montare i moduli in ambienti soggetti a neve o molto vento, prestare molta attenzione nel montarli in modo da garantire un livello di robustezza sufficiente, conformemente ai requisiti dei codici locali.

Ulteriori ambienti lavorativi autorizzati:

I moduli possono essere montati nei seguenti ambienti aggressivi in base ai limiti di prova indicati di seguito: Test di corrosione ambienti salini: IEC 61701 gravità 6 (il più alto ancora disponibile)

Resistenza alla corrosione da ammoniacca: Concentrazione 6.667 ppm

Ambienti operativi esclusi: alcuni ambienti operativi non sono consigliati per moduli SunPower specifici e sono pertanto esclusi dalla garanzia limitata SunPower per questi moduli.

Non montare i moduli SunPower in punti potenzialmente soggetti al contatto diretto con acqua di mare.

5.2 Configurazioni per il montaggio

I moduli possono essere montati a qualsiasi angolazione, da orizzontale a verticale. Selezionare l'orientamento giusto per sfruttare al massimo l'esposizione ai raggi del sole. Informazioni specifiche sulle dimensioni dei moduli, il punto di montaggio ed i fori per la messa a terra sono contenuti nelle Figure 2,3 e 4.

Al fine di prevenire l'infiltrazione di acqua nella scatola di derivazione, che potrebbe causare problemi di sicurezza, i moduli non vanno montati di modo che il vetro frontale/superiore sia rivolto verso il basso (ad esempio su una struttura a binari che posiziona il modulo con la scatola di derivazione rivolta verso il cielo durante i periodi di inattività).

Un adeguato spazio tra il telaio dei moduli e la struttura o la terra, è necessario onde evitare danni al cablaggio e consentire la circolazione dell'aria dietro il modulo.

Si raccomanda di installare i moduli a una distanza di almeno 4 mm l'uno dall'altro.

Se installato su un tetto, il modulo deve essere montato secondo le normative tecniche per le costruzioni e le normative locali sulla resistenza al fuoco. Nel caso in cui il modulo sia installato come impianto fotovoltaico integrato (BIPV), esso deve essere montato su una membrana impermeabile e resistente al fuoco adatto a tale applicazione.

Gli standard IEC solo validi solo nel caso in cui il telaio di fabbrica risulti intatto. Non rimuovere o alterare il telaio del modulo. La creazione di fori di montaggio aggiuntivi potrebbe danneggiare il modulo e ridurre la robustezza del telaio.

L'utilizzo di morsetti o pinze a pressione con ulteriori fori di fissaggio è in conformità con questo manuale la sicurezza e Istruzioni per l'installazione.

I moduli possono essere montati solo adottando i metodi riportati di seguito.

- 1) **Fori del telaio:** fissare il modulo alla struttura usando i fori di montaggio di fabbrica. Si consigliano quattro bulloni M6 (¼ di pollice) in acciaio inossidabile, con dadi, rondelle e rondelle di sicurezza. Vedere Figure 2, 3 e 4 per le dimensioni dei moduli e la posizione dei fori di montaggio. Per rispettare la specifica di 5400 Pa (Pascals; 550kg/m² es. carico neve) devono essere utilizzati solamente i fori di montaggio che sono a 322 mm dal lato corto del modulo.
- 2) **Morsetti o pinze a pressione:** montare il modulo con i morsetti sul lato più lungo della cornice del modulo. La mezzaria delle pinze deve essere tra 160 mm – 400 mm dall'estremità del lato corto del modulo per un carico di 2400 Pa (Pascals; 245 kg/m²) e tra 250mm-400mm dal lato corto del modulo per un carico di 5400 Pa (Pascals; 550 kg/m² ad esempio carico neve). Gli addetti all'installazione dovranno accertarsi che i morsetti siano sufficientemente resistenti da consentire la massima pressione dei moduli prevista dal design. Pinze e morsetti non vengono forniti da SunPower solo se ordinati.

- 3) **Montaggio su lato corto:** nel montaggio su lato corto il modulo deve essere supportato per l'intera lunghezza del telaio da un binario di supporto I binari sono posizionati sotto lati più corti del modulo. Il binario per il montaggio su lato corto, le pinze ed i morsetti devono avere una robustezza sufficiente per consentire la massima pressione del modulo prevista dal design. Prima dell'installazione, verificare questa capacità con il fornitore del sistema di montaggio.

- 4) **Montaggio Centrale:** (solo per inseguitori T0 e T20). Un morsetto a flangia deve essere utilizzato per fissare il bordo inferiore della cornice al centro del lato lungo. La lunghezza minima della piattina della flangia deve essere 150 mm per la parte superiore e 100 mm per la parte inferiore. Prima dell'installazione, verificare questa capacità con il fornitore del sistema di montaggio.

5) Sistemi di montaggio specificati o forniti da SunPower

Moduli installati come indicato nella documentazione Sunpower utilizzando sistemi di montaggio forniti o specificati da SunPower.

5.3 Movimentazione dei Moduli durante l'installazione

Non disporre i moduli con la parte frontale a diretto contatto con superfici abrasive come tetti, pallet di legno, murature etc. La superficie frontale del vetro è sensibile ad oli e superfici abrasive che possono causare graffi e depositi irregolari di sporcizia

Durante l'immagazzinamento, i moduli devono essere protetti dalla pioggia o qualsiasi tipo di liquido. La temperatura di deposito richiesto è tra 10 ° C a 40 ° C in ambiente asciutto (umidità dal 30 al 80%). Non lasciare i moduli all'aperto per evitare condizioni di umidità e bagnato

I moduli dotati di rivestimento antiriflettente possono essere facilmente sporcati da impronte digitali se vengono toccati nella parte frontale del vetro

SunPower suggerisce di movimentare moduli con vetro antiriflettente utilizzando guanti (non in pelle) o limitando il contatto con la parte frontale. Ogni impronta digitale derivante dall'installazione scomparirà naturalmente con il tempo o può essere eliminata seguendo le linee guida per il lavaggio indicate nella Sezione 6.0. Qualsiasi copertura del modulo (teloni in plastica o simili) durante l'installazione può causare decolorazioni permanenti sul vetro anteriore e non è raccomandato. L'uso di apparecchiature di sollevamento possono causare segni permanenti sul vetro anteriore.

Gli Ombreggiamenti dovrebbero essere evitati durante il funzionamento dell'impianto fotovoltaico.

L'impianto non dovrebbe essere avviato prima di aver rimosso dal tetto ponteggi, recinzioni o ringhiere.

L'impianto dovrebbe essere disconnesso in tutti i casi di manutenzione che comportino ombreggiamento (ad esempio: pulizia di camini, manutenzione del tetto, installazione di antenne e parabole).

6.0 Manutenzione

Ispezionare visivamente una volta all'anno tutti i moduli, prestando particolare attenzione alle connessioni elettriche, alle parti meccaniche ed all'assenza di corrosione. L'ispezione visiva deve essere fatta da un dealer autorizzato SunPower o da personale del supporto tecnico Sunpower

La pulizia periodica dei moduli è suggerita, ma non obbligatoria. La pulizia periodica dei moduli ne migliora le prestazioni specialmente in regioni dove il livello di precipitazioni annue risulta basso (meno di 46,3 cm (18.25 pollici). Contattare il vostro installatore o il rivenditore per sapere la frequenza di pulizia suggerita.

Per pulire il modulo, lavarlo con acqua potabile non riscaldata. La pressione normale dell'acqua è sufficiente, comunque può essere utilizzata acqua pressurizzata fino a 100 bar (min. Distanza 50cm). SunPower suggerisce di utilizzare un tubo sufficientemente grande e di non effettuare la pulizia quando il

modulo è a temperatura elevata. Impronte digitali, macchie o accumulo di sporcizia nella superficie frontale possono essere rimossi nel seguente modo: prima riscacquare l'area e lasciarla bagnata per un breve periodo (5 minuti); bagnare ancora una volta ed utilizzare una spugna soffice oppure un panno liscio per strofinare la superficie frontale con movimenti circolari. Non utilizzare materiali abrasivi per la pulizia come ad esempio detergente in polvere, spugne metalliche, lamette o strumenti affilati. L'utilizzo di questi materiali per la pulizia invalida la garanzia sul prodotto.

Figura 2: 72 celle

MM (IN) (A) - FORI PER IL MONTAGGIO 12X Ø6.6 [.26] (B) - FORI PER LA MESSA A TERRA 10X Ø4.2 [.17]

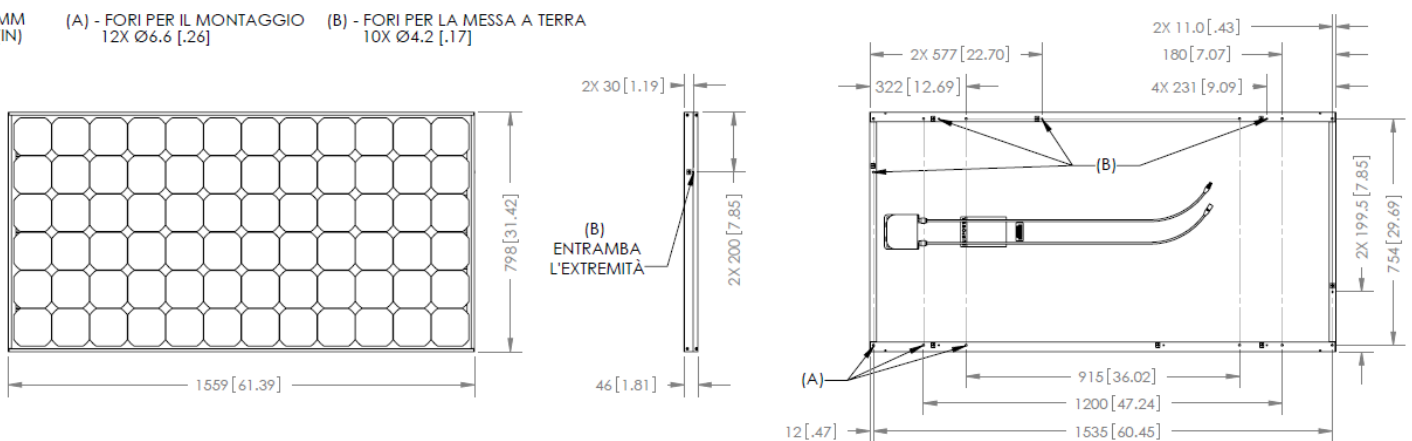
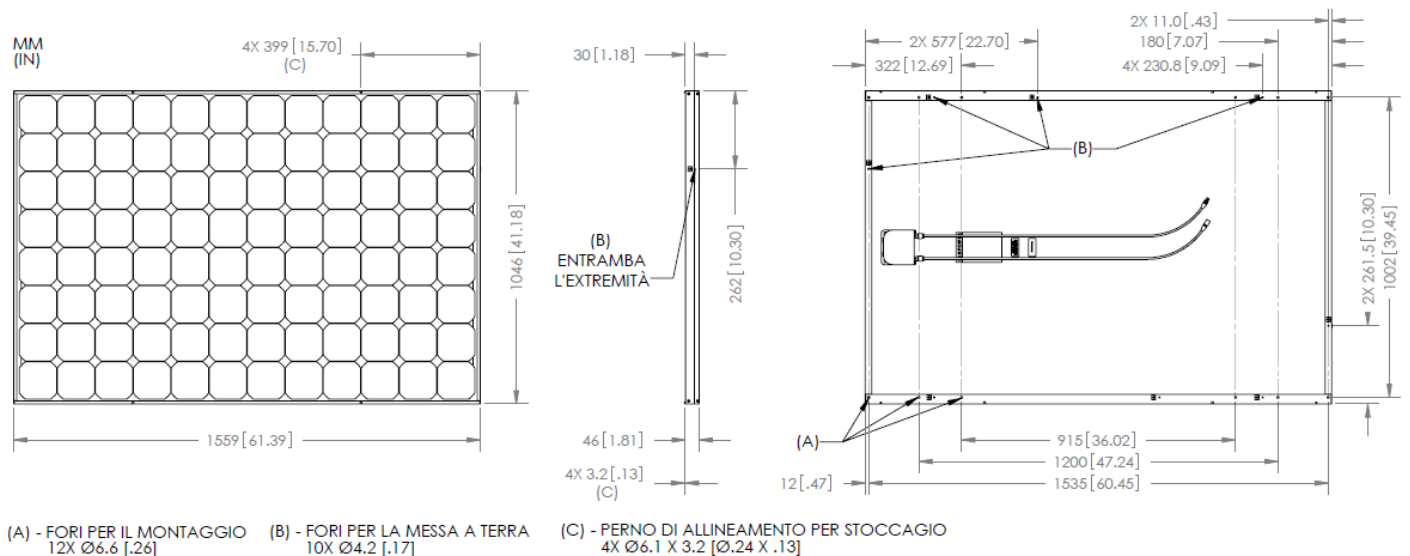


Figura 3: 96 celle Notare che i perni di allineamento dei moduli per l'imballaggio non sono inclusi in tutti i modelli, verificare le schede tecniche per maggiori dettagli.



(A) - FORI PER IL MONTAGGIO 12X Ø6.6 [.26] (B) - FORI PER LA MESSA A TERRA 10X Ø4.2 [.17] (C) - PERNO DI ALLINEAMENTO PER STOCCAGGIO 4X Ø6.1 X 3.2 [Ø.24 X .13]